

Preferred Implementation Compact Evolutive High Performance

*Best in class in modularity
and performance with CANopen...*



Typical applications

Automotive

- Assembly machines
- Body shop

Machining

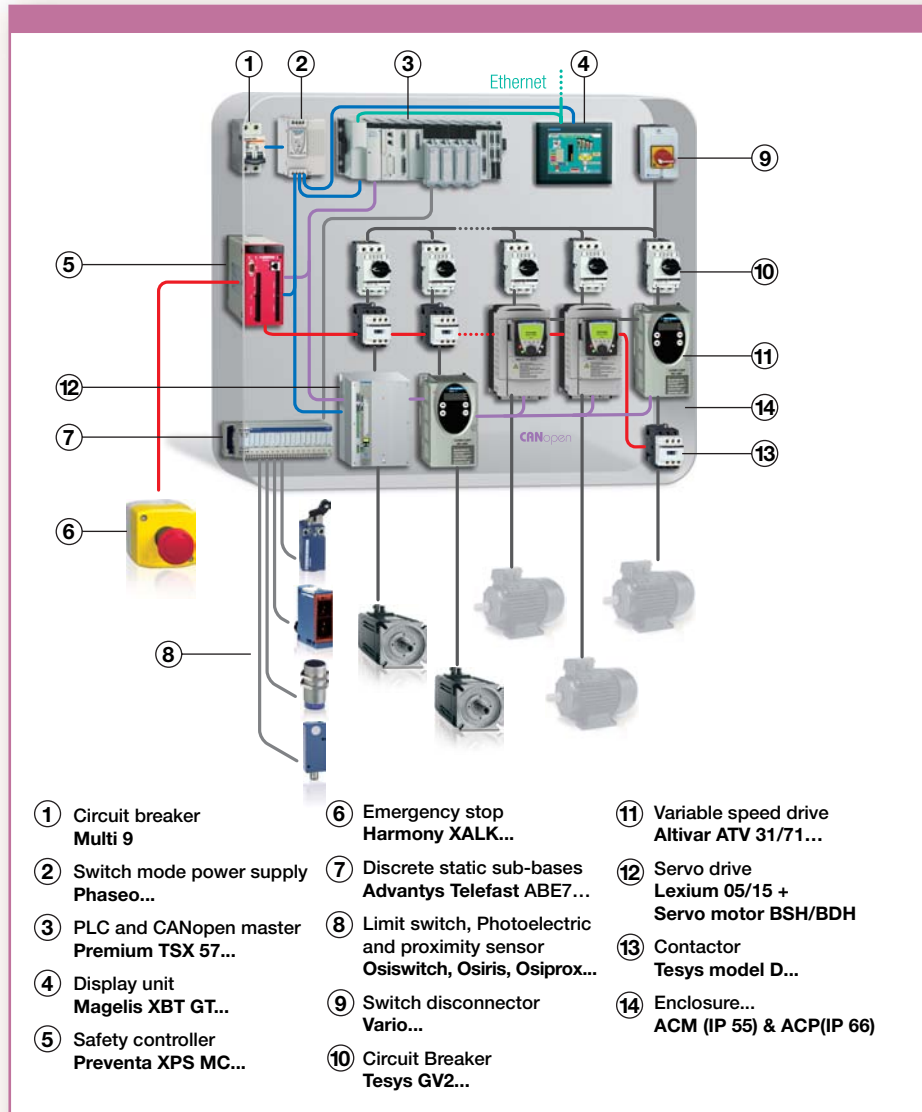
- Wood working machines
- Cutting machines - Sanders - ...

Packaging

- Filling machines
- Bottling machines
- Bagging machines
- Wrapping machines
- Boxing machines...

Other machines

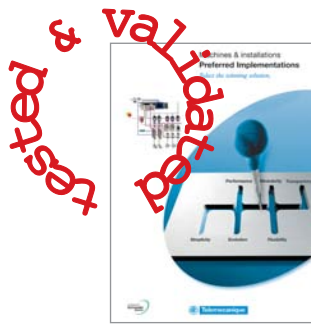
- Textiles machines
- Printing machines...



- | | | |
|---|---|--|
| ① Circuit breaker
Multi 9 | ⑥ Emergency stop
Harmony XALK... | ⑪ Variable speed drive
Altivar ATV 31/71... |
| ② Switch mode power supply
Phaseo... | ⑦ Discrete static sub-bases
Advantys Telefast ABE7... | ⑫ Servo drive
Lexium 05/15 +
Servo motor BSH/BDH |
| ③ PLC and CANopen master
Premium TSX 57... | ⑧ Limit switch, Photoelectric
and proximity sensor
Osiswitch, Osisir, Osisprox... | ⑬ Contactor
Tesys model D... |
| ④ Display unit
Magelis XBT GT... | ⑨ Switch disconnecter
Vario... | ⑭ Enclosure...
ACM (IP 55) & ACP(IP 66) |
| ⑤ Safety controller
Preventa XPS MC... | ⑩ Circuit Breaker
Tesys GV2... | |

This implementation provides the best answer for compact machines where performance, modularity and customization are very important. It combines a CANopen network, a Premium programmable controller, Altivar 31 or 71 variable speed drives, Lexium 05 or 15 Servo drives and a Magelis XBT GT display unit.

This implementation constitutes a real solution, guaranteeing installation simplicity and speed as well as faultless operation of the assembly, thanks to a complete wiring offer and software integration with function blocks for drivers on CANopen.



Advantages

Consistency of solution

The synergy of high quality products provides a solution guaranteed by a leader in automation.

Tested, validated and documented

A complete user guide gives all the details for installing and building your application in confidence.

Large choice of partners

The openness of CANopen provides a large choice of products.

CANopen

Optimized productivity

Easily restart, reset manually, control and operate your machine or installation with Premium and XBT GT.



Motion can be so simple!

It is easy to control motion with CANopen and the function block library. The integration between the Premium, Altivar and Lexium allows you to easily control drives and motion.



Characteristics

Performance

- Controller: Premium
- I/O: up to 400
- Motor control on CANopen (up to 16):
 - Direct Motor Starter TeSys U
 - Variable speed drives ATV 31/61/71
 - Servo drives Lexium 05/15
- Motion control: up to 8 axis on CANopen
- HMI: push-buttons and lights, graphic display
- Typical cycle time: 10 - 50 ms
- Safety: Preventa module or controller
- Options: Ethernet connection to upper level

Installation

- Machine type: stand alone
- Cabling: CANopen
- Software: libraries and function blocks to ease programming
- Easy to duplicate and to save your PLC application by using EEPROM

Constraint

- Installed in a cabinet to achieve higher IP level, ACM (IP 55), ACP (IP 66)
- Option: cables for heavy duty or mobile installation
- Oil resistant

Cost

- Minimizing programming and commissioning cost
- Optimized cabling with CANopen, cost reduction (up to 20%)

Size

- Compact machine or equipment < 20 m²

A platform and a dedicated team at your service

Each preferred Implementation is based on a selected platform for optimal results and updated according to the evolution of our product offer. A team of specialists can perform customized tests to validate your configuration of the Preferred Implementation.

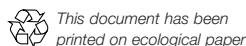


Schneider Electric Industries SAS

Head Office
89, bd Franklin Roosevelt
92506 Rueil-Malmaison Cedex
FRANCE

www.schneider-electric.com
www.telemecanique.com

As standards, specifications and designs change from time to time, please ask for confirmation of the information given in this publication.



Design: adncom.fr
Photos: Schneider Electric
Printing: